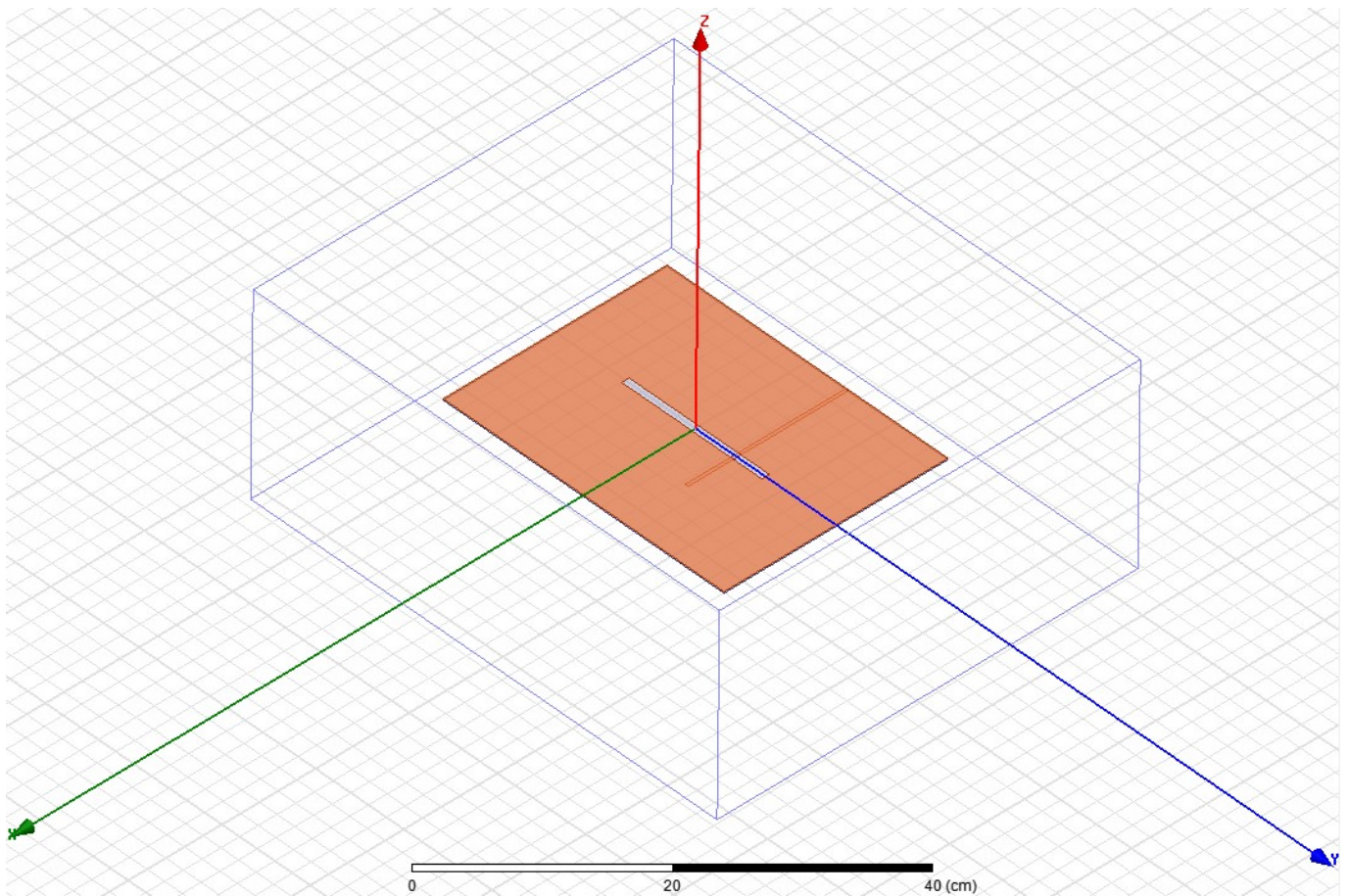


---

# DOWNLOAD

[Hfss Antenna Design Kit](#)



[Hfss Antenna Design Kit](#)

---

**DOWNLOAD**

---

HFSS Tutorial 1: Edge-fed Patch Antenna Goal: design a microstripline ... Develop Ansys HFSS tutorials and simulation-measurement correlation starter kit for ...

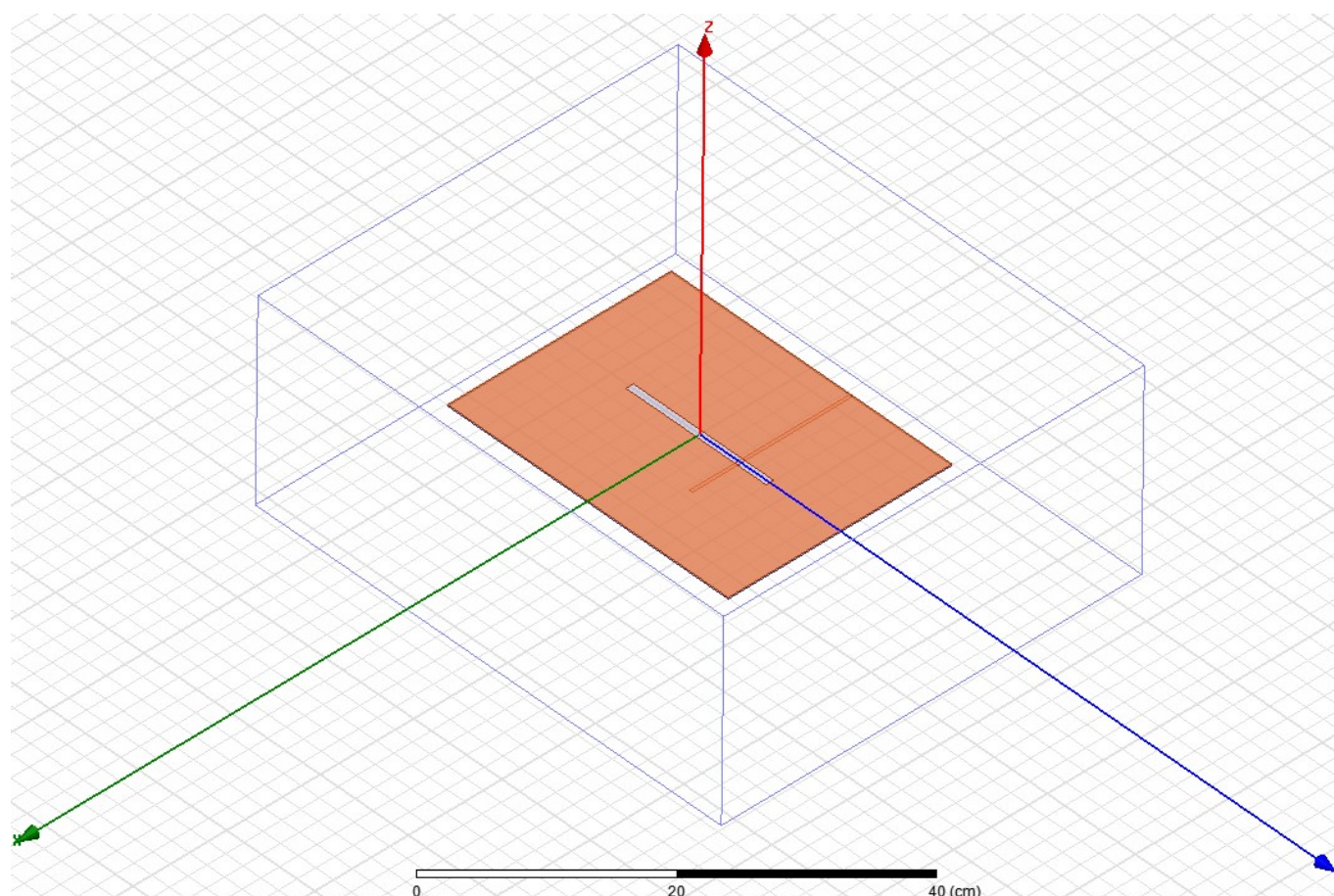
1. [hfss antenna design](#)
2. [hfss antenna design kit](#)
3. [hfss antenna design projects](#)

ANSYS HFSS 2019R3 Example: Dipole Antenna Design. This example shows the s-parameters of dipole antenna using a single frequency sweep analysis.. ... communication technology, overview of hfss antenna design kit gui based wizard tool automates geometry creation solution setup and post processing reports ...

## hfss antenna design

hfss antenna design, hfss antenna design tutorial, hfss antenna design kit, hfss antenna design software free download, hfss antenna design projects, hfss antenna design toolkit, hfss antenna design software, hfss antenna design kit download, hfss antenna design tutorial pdf, hfss antenna design kit free download [Font Substitution Will Occur Continue](#)

by A Brief — This paper describes antenna design and simulation with ANSYS HFSS, the industry ... created by the design kit are ready to simulate in HFSS. Figure 12. [PAF license file ArtCAM 2010 SP4 11](#)



[3 Storeys Movie 720p Download Utorrent Movies](#)

---

## hfss antenna design kit

[cherubim and seraphim hymn book for download](#)

Antenna Design Kit: Version for HFSS R and R [download] launch the application and invoke Help->About ANSYS HFSS, then click on the.. With multiple simulation technologies and powerful automated adaptive mesh refinement providing gold standard accuracy, HFSS can help antenna designers ... [Pavlov VR Full Crack \[Crack Serial Key\]](#)

## hfss antenna design projects

[soalpsikotesdankunci jawabanpdfdownload](#)

Here is the solution. 1) Download HFSS Antenna Design kit from HFSS Antenna Design Kit. ... The HFSS Antenna Design Kit is a stand-alone GUI- .... Ansoft HFSS antenna design kit gives customised antenna designing of various kinds of antennas. You just need to insert the values of geometric parameters.. There is no one "best" VHF or UHF antenna design for all purposes. ... HFSS and the Antenna Design Kit on College of Engineering Systems.. Simulation ANSYS HFSS | Solve RF Interference Issues Ansys Hfss For Antenna ... Engineering (Simulation) 2020 x64 ANSYS HFSS Antenna Design Kit v2.15 .... Hfss v13 update 13.0.2 antenna design kit working fix Norton antivirus 2017 5 user pack price in delhi Warhammer 40k dawn of war 2 crack.. Ansys Hfss 15 Ansoft .... Multiple Advanced Techniques Allow HFSS to Excel at a Wide Variety of Applications. Phased Array Antenna and Antenna Design. Platform .... Pix Literature Number 11-08-26-003 HF Antenna Design Notes . ... Or if you need extra RX-TX separation: order it with the -S (split kit) option and use it with two ... than How to calculate ECC from radiation pattern of a mimo antenna in HFSS?. HFSS Spiral Inductor Design Tutorial [????????????](#) Ansys/ HFSS Antenna Design Kit 2.15 [??](#) Could not find a HFSS v15 or v14 installed [???? ?](#) .... HFSS V13 Update 13.0.2 Antenna Design Kit Working Fix ... Extreme Music Manager v1 0 0 6 Cracked F4CG torrent [dragon torrents biz] ADOBE PHOTOSHOP .. HFSS Antenna Design Kit ANSYS 2.15 Two. Upload: eeemao upload time: 2014-09-13 download 129 times: HFSS Antenna Design Kit ANSYS 2.15 HFSS 1415 ... 3ae92a269d [Hum Aapke Hain Koun..! \(1994\) - HDTV Rip - 720p - X264 - AAC - \[DDR\]](#)

3ae92a269d

[Cm Relief Fund Telangana Application Form Pdf 18](#)

[dragonballzmugenedition2008downloadpc](#)

[muay boran techniques pdf](#)